



# Illustrated Parts List

## Model Series

# 124600

TYPE NUMBERS  
0030 through 0127.

### TABLE OF CONTENTS

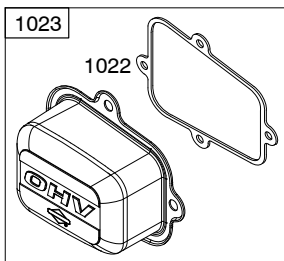
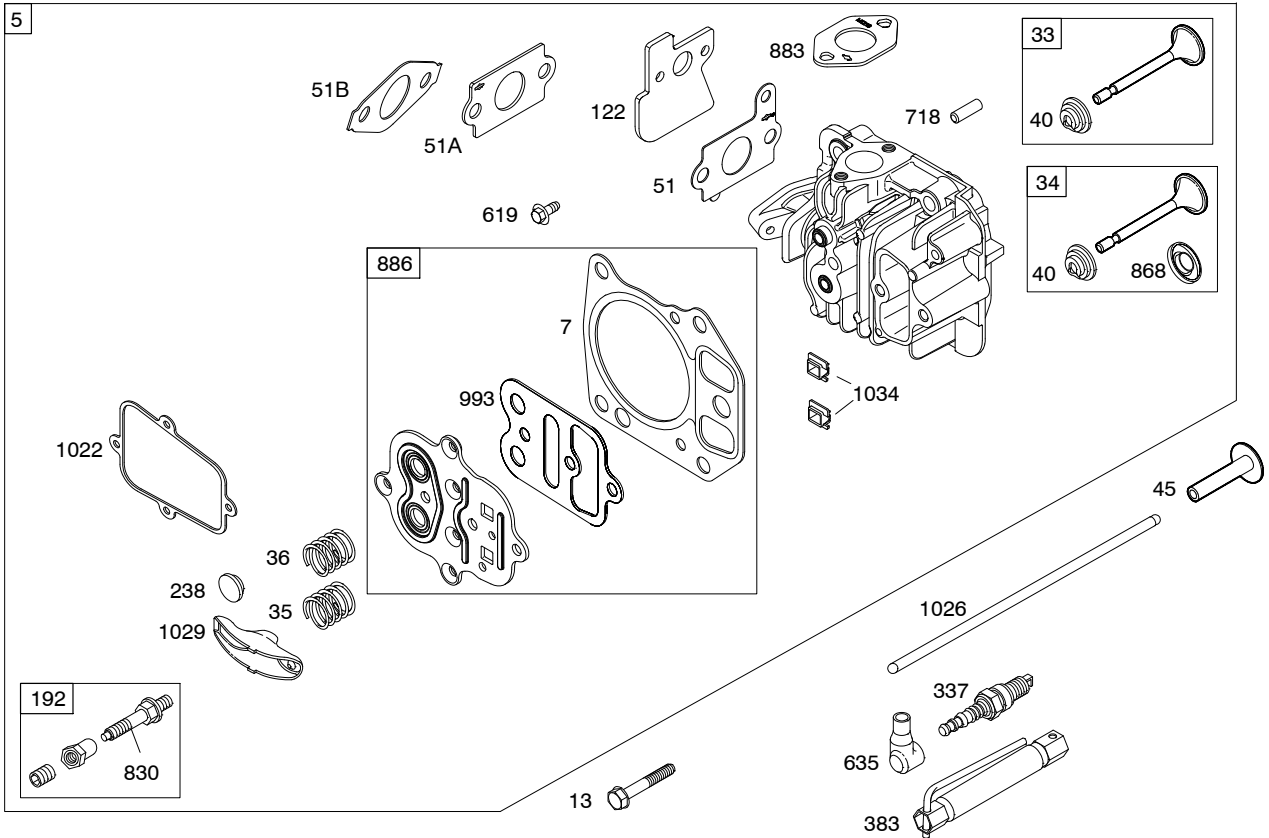
<b>Air Cleaner</b> .....	6
<b>Blower Housing/Shrouds</b> .....	7
<b>Camshaft</b> .....	2
<b>Carburetor</b> .....	4
<b>Controls</b> .....	5
<b>Crankshaft</b> .....	2
<b>Cylinder</b> .....	2
<b>Cylinder Head</b> .....	3
<b>Engine Sump</b> .....	2
<b>Exhaust System</b> .....	6
<b>Flywheel</b> .....	7
<b>Flywheel Brake</b> .....	5
<b>Fuel Supply</b> .....	6
<b>Governor Spring</b> .....	5
<b>Ignition</b> .....	5
<b>Kits/Gaskets Sets</b> .....	8
<b>Lubrication</b> .....	2
<b>Piston Group</b> .....	2
<b>Rewind Starter</b> .....	7



PRINTED IN U.S.A.

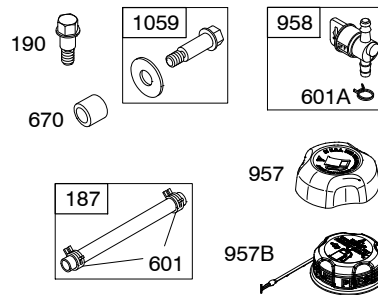
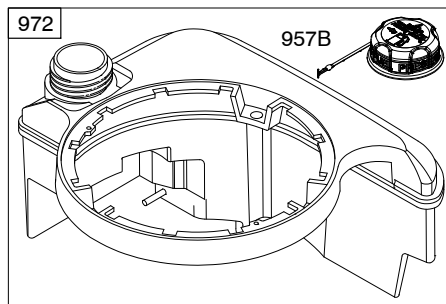
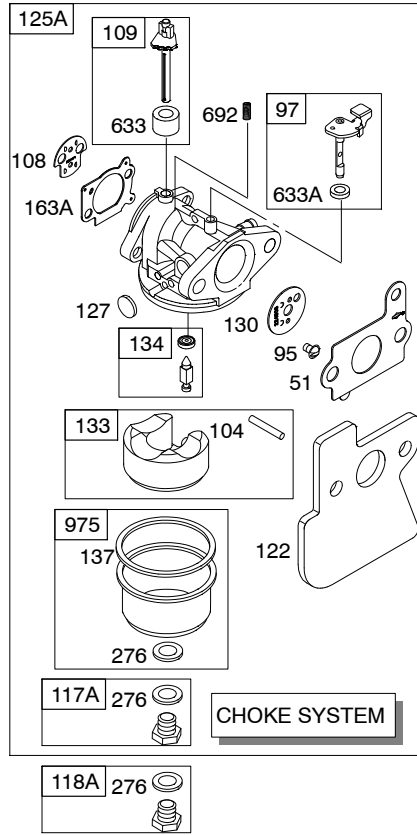
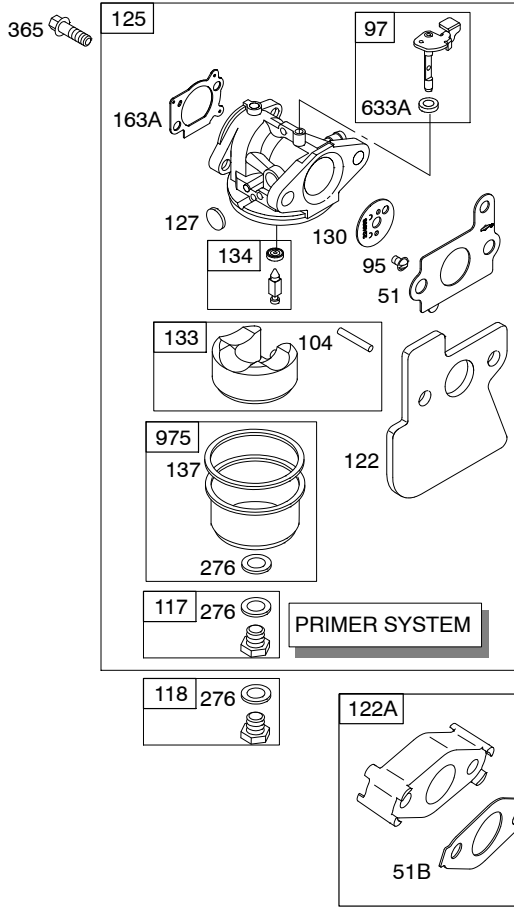
COPYRIGHT by BRIGGS & STRATTON CORPORATION  
All rights reserved. No part of this material may be reproduced or transmitted, in any form or by any means, electronic or mechanical, including photocopying, recording or by any information storage and retrieval system, without permission in writing from Briggs & Stratton Corporation.



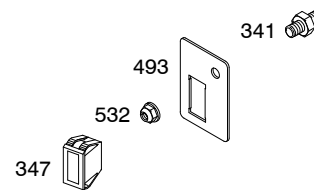
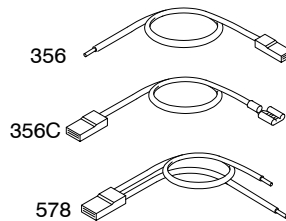
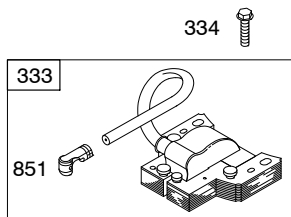
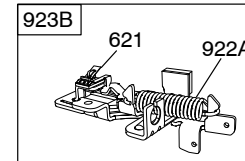
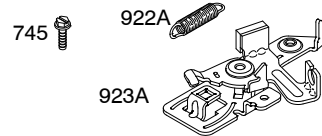
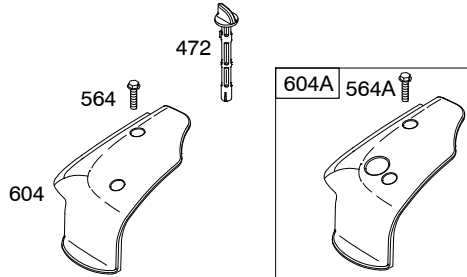
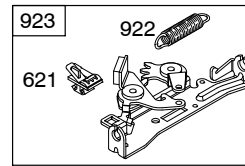
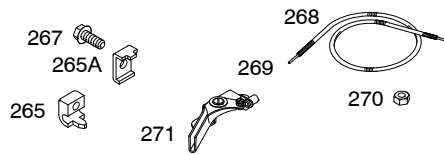
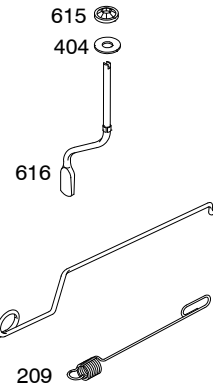
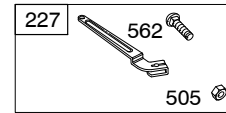
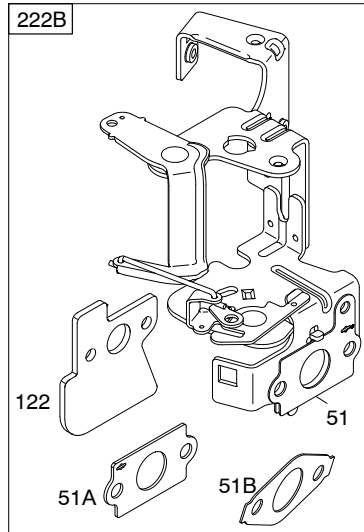
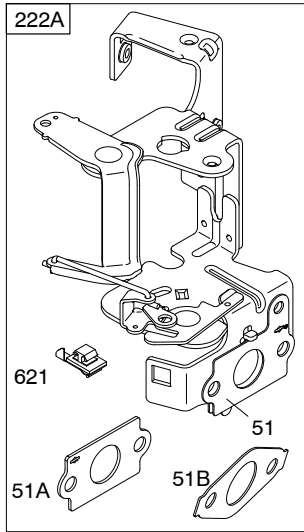


914 

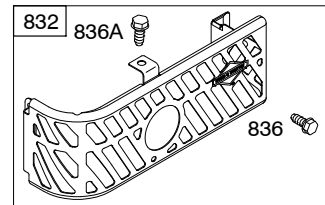
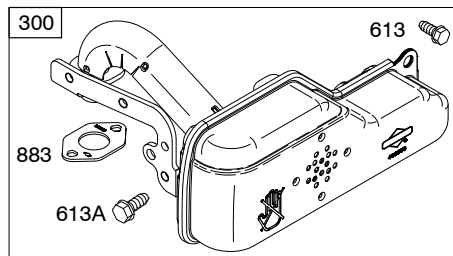
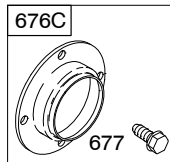
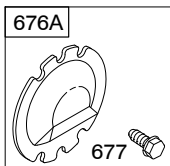
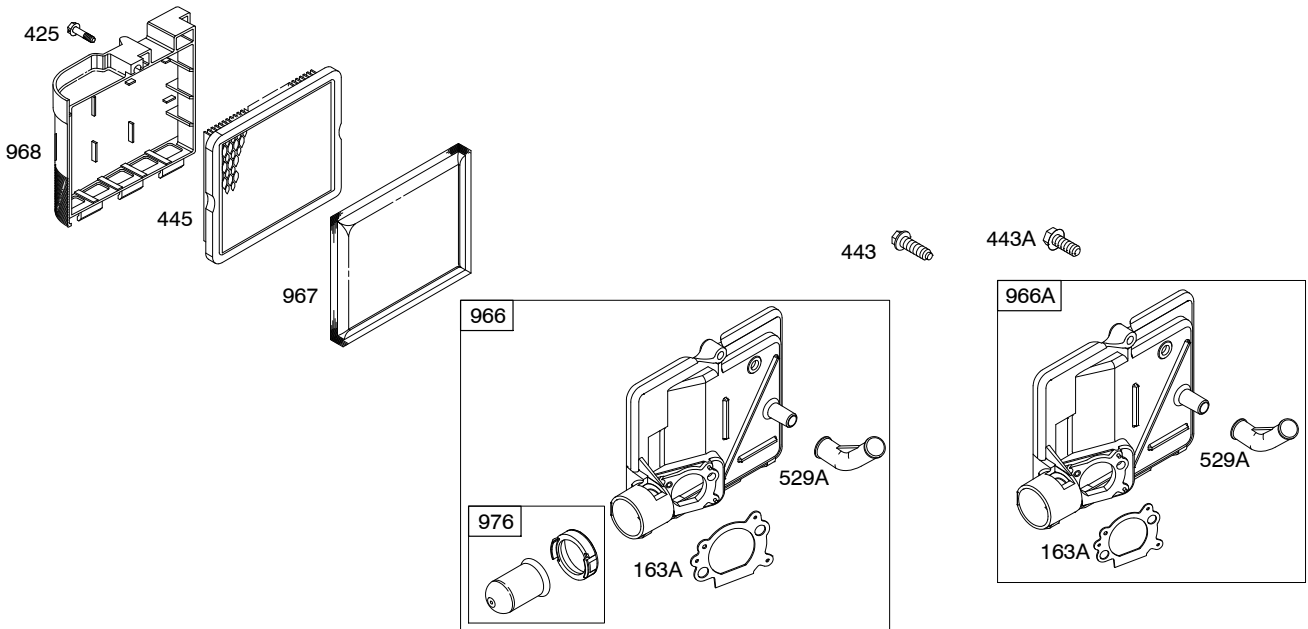
**Illustrations cover a range of engines. Parts shown without corresponding text may not be used on your specific engine.**  
**6193-3** Assemblies include all parts shown in frames. **07/21/2008**

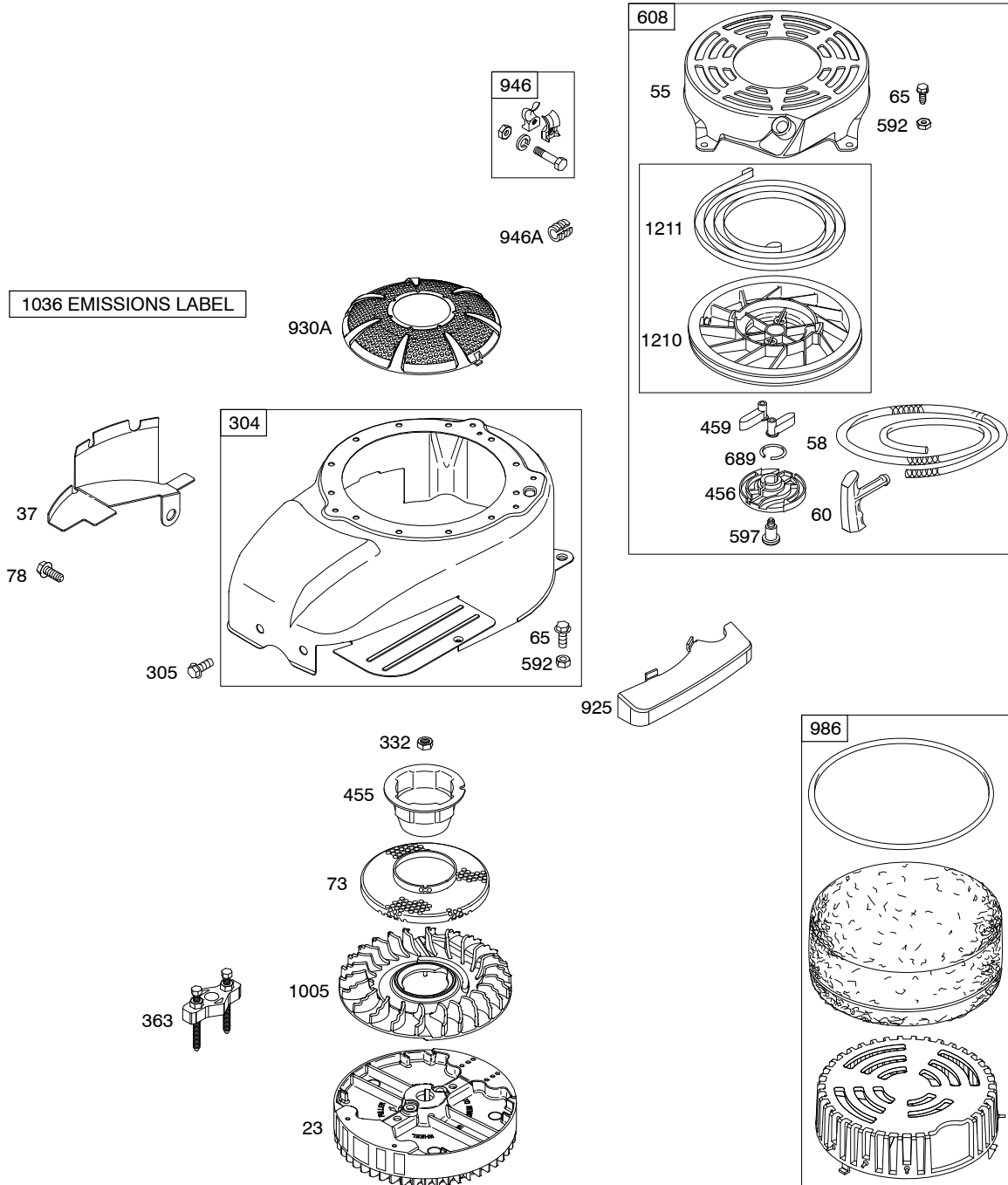


**Illustrations cover a range of engines. Parts shown without corresponding text may not be used on your specific engine.**  
**6193-4** Assemblies include all parts shown in frames. **07/21/2008**

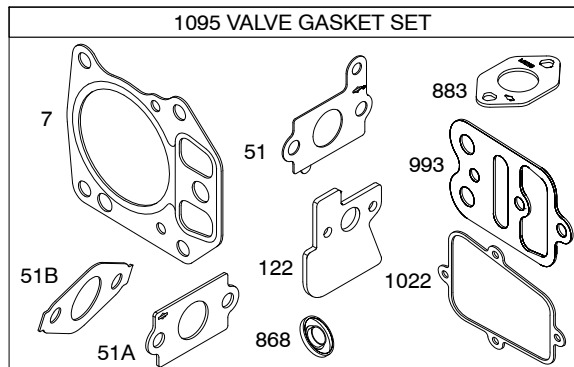
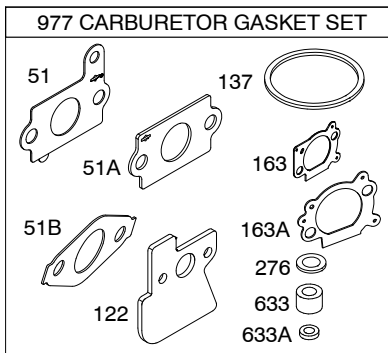
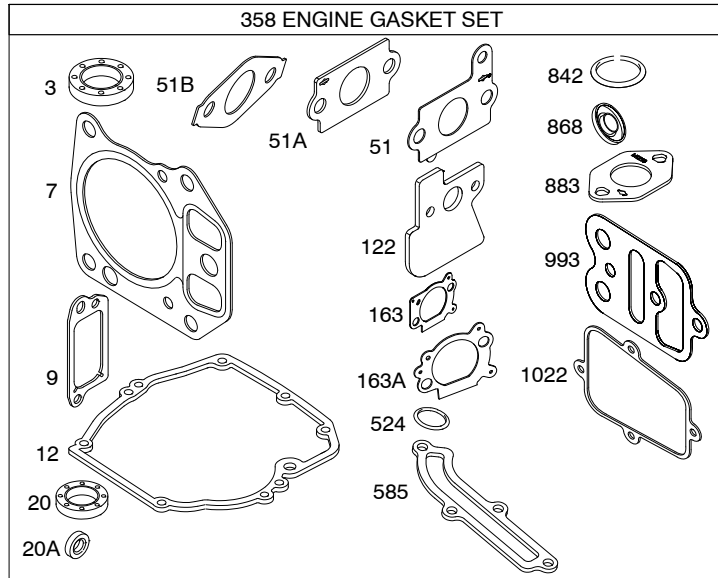
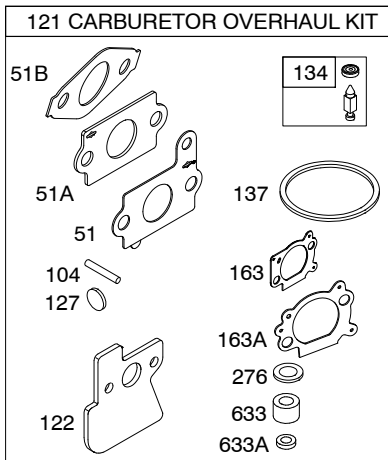


Illustrations cover a range of engines. Parts shown without corresponding text may not be used on your specific engine.  
 6193-5 Assemblies include all parts shown in frames. 07/21/2008





Illustrations cover a range of engines. Parts shown without corresponding text may not be used on your specific engine.  
 6193-7 Assemblies include all parts shown in frames. 07/21/2008



**Illustrations cover a range of engines. Parts shown without corresponding text may not be used on your specific engine.**  
**6193-8** Assemblies include all parts shown in frames. **07/21/2008**

REF. NO.	PART NO.	DESCRIPTION	REF. NO.	PART NO.	DESCRIPTION	REF. NO.	PART NO.	DESCRIPTION
1	790363	Cylinder Assembly (Used After Code Date 04040400). ----- <b>Note</b> ----- <b>499678</b> Cylinder-Assembly (Used Before Code Date 04040500).	16	691457	Crankshaft ----- <b>Note</b> ----- <b>692988</b> Crankshaft Used on Type No(s). 0037. <b>692823</b> Crankshaft Used on Type No(s). 0110. <b>692716</b> Crankshaft Used on Type No(s). 0117. <b>691458</b> Crankshaft Used on Type No(s). 0035, 0036. <b>691456</b> Crankshaft Used on Type No(s). 0105, 0113, 0120, 0121.	26	795431	Ring Set (Standard) (Used After Code Date 07090300). ----- <b>Note</b> ----- <b>791969</b> Ring Set (Standard) (Used After Code Date 05030700 and Before Code Date 07090400). <b>499631</b> Ring Set (Standard) (Used Before Code Date 05030800). <b>795432</b> Ring Set (.020" Oversize) (Used After Code Date 07090300). <b>791324</b> Ring Set (.020" Oversize) (Used After Code Date 05030700 and Before Code Date 07090400). <b>692786</b> Ring Set (.020" Oversize) (Used Before Code Date 05030800).
2	399269	Kit-Bushing/Seal (Magneto Side)	17	692517	Bearing-Ball	27	691866	Lock-Piston Pin
3	★299819S	Seal-Oil (Magneto Side)	20	★399781	Seal-Oil (PTO Side)	28	499423	Pin-Piston
4	493279	Sump-Engine	20A	★691952	Seal-Oil (PTO Side) (Auxiliary PTO)	29	499424	Rod-Connecting
4A	493365	Sump-Engine (Auxiliary PTO)	22	691092	Screw (Crankcase Cover/ Sump)	32	691664	Screw (Connecting Rod)
4B	692509	Sump-Engine Used on Type No(s). 0030, 0035, 0036, 0037.	23	697610	Flywheel ----- <b>Note</b> ----- <b>692693</b> Flywheel Used on Type No(s). 0110, 0114, 0117. <b>699488</b> Flywheel Used on Type No(s). 0030.	32A	695759	Screw (Connecting Rod) (Used After Code Date 00042200).
5	795501	Head-Cylinder (Used After Code Date 05110100). ----- <b>Note</b> ----- <b>695276</b> Head-Cylinder (Used Before Code Date 05110200).	24	222698S	Key-Flywheel	33	499642	Valve-Exhaust
7	★Δ697230	Gasket-Cylinder Head	25	795429	Piston Assembly (Standard) (Used After Code Date 07090300). ----- <b>Note</b> ----- <b>792004</b> Piston Assembly (Standard) (Used Before Code Date 07090400). <b>795430</b> Piston Assembly (.020" Oversize) (Used After Code Date 07090300). <b>791325</b> Piston Assembly (.020" Oversize) (Used Before Code Date 07090400).	34	499641	Valve-Intake
8	495786	Breather Assembly				35	691304	Spring-Valve (Intake)
9	★699833	Gasket-Breather				36	691304	Spring-Valve (Exhaust)
10	691125	Screw (Breather Assembly)				37	694086	Guard-Flywheel
11	499675	Tube-Breather				40	692194	Retainer-Valve
12	★692232	Gasket-Crankcase						
13	691137	Screw (Cylinder Head)						
15	691680	Plug-Oil Drain (Square Socket)						
15A	691093	Plug-Oil Drain (Hex Socket)						

★ Included in Engine Gasket Set-Ref. No.358.

● Included in Carburetor Overhaul Kit-Ref. No. 121.

◆ Included in Carburetor Gasket Set-Ref. No. 977.

Δ Included in Valve Gasket Set-Ref. No 1095.

**Illustrations cover a range of engines. Parts shown without corresponding text may not be used on your specific engine.**

# 124600

REF. NO.	PART NO.	DESCRIPTION	REF. NO.	PART NO.	DESCRIPTION	REF. NO.	PART NO.	DESCRIPTION
43	691997	Slinger-Governor/Oil	51	692668	Gasket-Intake	118	497466	Jet-Main
43A	692505	Slinger-Governor/Oil Used on Type No(s). 0030, 0035, 0036, 0037.	51A	697735	Gasket-Intake			(High Altitude)
45	690977	Tappet-Valve	51B	692555	Gasket-Intake			(Used After Code Date 03110600).
46	694039	Camshaft (Used After Code Date 99030700).	55	691421	Housing-Rewind Starter			----- <b>Note</b> -----
		----- <b>Note</b> -----	58	697316	Rope-Starter (Cut To Required Length)			<b>498975</b> Jet-Main
		<b>694035</b> Camshaft (Used Before Code Date 99030800).	60	281434	Grip-Starter Rope			(High Altitude)
			65	690837	Screw (Rewind Starter)			(Used After Code Date 99030700 and Before Code Date 03110700).
46A	694037	Camshaft (Counterclockwise) (Used After Code Date 99030700). Used on Type No(s). 0112, 0114.	73	691222	Screen-Rotating			<b>497315</b> Jet-Main
		----- <b>Note</b> -----	78	691108	Screw (Flywheel Guard)			(High Altitude)
		<b>694033</b> Camshaft (Counterclockwise) (Used Before Code Date 99030800).	83	690524	Shaft-Auxiliary Drive	118A	497315	Jet-Main
		Used on Type No(s). 0112, 0114.			----- <b>Note</b> -----			(High Altitude)
					<b>691778</b> Shaft-Auxiliary Drive	121	792383	Kit-Carburetor Overhaul
					Used on Type No(s). 0115, 0127.	122	692799	Spacer-Carburetor
			95	691636	Screw (Throttle Valve)	122A	792382	Spacer-Carburetor
			97	499682	Shaft-Throttle (Metal)	125	790120	Carburetor (Primer System)
					----- <b>Note</b> -----			(Used After Code Date 99030700).
					<b>790121</b> Shaft-Throttle (Plastic)			----- <b>Note</b> -----
			101	691623	Pin-Shaft			<b>692649</b> Carburetor (Primer System)
			104	691242	Pin-Float Hinge			(Used Before Code Date 99030800).
			108	691182	Valve-Choke	125A	694505	Carburetor (Choke System)
			109	693866	Shaft-Choke	127	694468	Plug-Welch
			117	498981	Jet-Main (Standard) (Used After Code Date 03110600).	130	691203	Valve-Throttle
					----- <b>Note</b> -----			----- <b>Note</b> -----
					<b>498978</b> Jet-Main (Standard) (Used After Code Date 99030700 and Before Code Date 03110700).			<b>696564</b> Valve-Throttle (Used With Plastic Throttle Shaft)
					<b>692677</b> Jet-Main (Standard) (Used Before Code Date 99030800).			
46B	694040	Camshaft (Used After Code Date 99030700). Used on Type No(s). 0030, 0035, 0036, 0037.	117A	692677	Jet-Main (Standard)			
		----- <b>Note</b> -----						
		<b>694036</b> Camshaft (Used Before Code Date 99030800). Used on Type No(s). 0035.						

★ Included in Engine Gasket Set-Ref. No.358.

● Included in Carburetor Overhaul Kit-Ref. No. 121.

◆ Included in Carburetor Gasket Set-Ref. No. 977.

△ Included in Valve Gasket Set-Ref. No 1095.

**Illustrations cover a range of engines. Parts shown without corresponding text may not be used on your specific engine.**

REF. NO.	PART NO.	DESCRIPTION	REF. NO.	PART NO.	DESCRIPTION	REF. NO.	PART NO.	DESCRIPTION		
133	398187	Float-Carburetor	222A	792402	Bracket-Control (Used After Code Date 05110100).	269	691026	Wire-Control (Cut To Required Length)		
134	●398188	Kit-Needle/Seat				270	691027	Nut (Control Wire Casing)		
137	◆693981	Gasket-Float Bowl			----- <b>Note</b> -----	271	691028	Lever-Control		
146	690979	Key-Timing			222B	792403	Bracket-Control (Used Before Code Date 05110200).	276	◆271716	Washer-Sealing
163	◆691894	Gasket-Air Cleaner			693378	Bracket-Control (Used After Code Date 05110100).	287	690940	Screw (Dipstick Tube) (High Altitude)	
163A	◆692667	Gasket-Air Cleaner			692672	Bracket-Control (Used Before Code Date 05110200).	304	499676	Housing-Blower ----- <b>Note</b> -----	
187	791766	Line-Fuel (Cut to Required Length)			Used on Type No(s). 0035, 0036, 0105, 0115, 0127.			695976	Housing-Blower Used on Type No(s). 0118.	
188	691147	Screw (Control Bracket)			----- <b>Note</b> -----			499677	Housing-Blower Used on Type No(s). 0035, 0036, 0105, 0115, 0125, 0127.	
190	690940	Screw (Fuel Tank)			692396	Bracket-Control (Used After Code Date 05110100).	305	691108	Screw (Blower Housing)	
192	694543	Adjuster-Rocker Arm			Used on Type No(s). 0110.	306	691232	Shield-Cylinder		
202	691303	Link-Mechanical Governor			693897	Bracket-Control (Used Before Code Date 05110200).	307	690345	Screw (Cylinder Shield)	
209	691291	Spring-Governor (Red)			Used on Type No(s). 0110.	332	690662	Nut (Flywheel)		
		----- <b>Note</b> -----			693897	Bracket-Control (Used Before Code Date 05110200).	333	802574	Armature-Magneto	
		691290			Used on Type No(s). 0030, 0117.	334	691061	Screw (Magneto Armature)		
		690319			Used on Type No(s). 0035, 0036, 0037.	337	692051	Plug-Spark (Resistor) ----- <b>Note</b> -----		
								692720	Plug-Spark (EMS)	
			227	691467	Lever-Governor Control	341	690368	Stud (Mounting Bracket)		
			238	691300	Cap-Valve	347	691396	Switch-Rocker		
			265	690798	Clamp-Casing	356	692390	Wire-Stop		
			265A	691024	Clamp-Casing	356C	693010	Wire-Stop		
			267	691044	Screw (Casing Clamp)	357	692191	Key-Drive Pulley		
			268	691025	Casing-Control Wire (Cut To Required Length)					

★ Included in Engine Gasket Set-Ref. No.358.

● Included in Carburetor Overhaul Kit-Ref. No. 121.

◆ Included in Carburetor Gasket Set-Ref. No. 977.

△ Included in Valve Gasket Set-Ref. No 1095.

Illustrations cover a range of engines. Parts shown without corresponding text may not be used on your specific engine.

# 124600

REF. NO.	PART NO.	DESCRIPTION	REF. NO.	PART NO.	DESCRIPTION	REF. NO.	PART NO.	DESCRIPTION
358	792384	Gasket Set-Engine	564	691673	Screw (Control Cover)	689	691855	Spring-Friction
363	19069	Puller-Flywheel				692	690572	Spring-Detent
365	691129	Screw (Carburetor) (Used After Code Date 05110100).	564A	693808	Screw (Control Cover)	715	691147	Screw (Stop Shaft)
		----- <b>Note</b> -----	578	398153	Wire Assembly	718	690959	Pin-Locating
		691136 Screw (Carburetor) (Used Before Code Date 05110200).	584	697734	Cover-Breather Passage	721	690449	Stop-Shaft
374	691074	Washer (Camshaft)	585	★691879	Gasket-Breather Passage	737	692511	Screw (Oil Filter Adapter)
383	19374S	Wrench-Spark Plug	592	690800	Nut (Rewind Starter)	741	794388	Gear-Timing (Use Without Woodruff Key) (Used After Code Date 07093000).
404	690272	Washer (Governor Crank)	597	691696	Screw (Pawl Friction Plate)			----- <b>Note</b> -----
425	690670	Screw (Air Cleaner Cover)	601	791850	Clamp-Hose			790345 Gear-Timing (Use Without Woodruff Key)
443	692523	Screw (Air Cleaner Primer Base)	601A	691038	Clamp-Hose			(Used Before Code Date 07100100).
443A	691637	Screw (Air Cleaner Primer Base)	604	692669	Cover-Control			691830 Gear-Timing (Uses Woodruff Key)
445	491588S	Filter-Air Cleaner Cartridge	604A	693807	Cover-Control	743	691772	Gear-Drive (Counterclockwise) ----- <b>Note</b> -----
455	791960	Cup-Flywheel	608	497680	Starter-Rewind			690516 Gear-Drive (Clockwise) Used on Type No(s). 0115, 0127.
456	692299	Plate-Pawl Friction	613	691108	Screw (Muffler)	745	691648	Screw (Brake)
459	281505S	Ratchet-Pawl	613A	691140	Screw (Muffler)	750	691683	Screw (Oil Pump Cover)
472	693809	Knob-Choke Shaft	615	690340	Retainer-Governor Shaft	830	694544	Stud-Rocker Arm
493	692877	Bracket-Mounting	616	698801	Crank-Governor	832	691466	Guard-Muffler
505	691251	Nut (Governor Control Lever)	619	691108	Screw (Cylinder Head Plate)	836	691147	Screw (Muffler Guard)
523	499621	Dipstick	621	692310	Switch-Stop	836A	697551	Screw (Muffler Guard)
524	★692296	Seal-Dipstick Tube	633	◆693867	Seal-Choke/Throttle Shaft (Choke Shaft)	842	★691031	Seal-O Ring (Dipstick Tube)
525	495265	Tube-Dipstick	633A◆	691321	Seal-Choke/Throttle Shaft (Throttle Shaft)	843	691884	Sleeve-Lever
529A	691923	Grommet	635	66538S	Boot-Spark Plug	847	692047	Dipstick/Tube Assembly
532	692851	Nut (Mounting Bracket)	670	692294	Spacer-Fuel Tank			
562	691119	Bolt (Governor Control Lever)	676A	393756	Deflector-Muffler			
			676C	497682	Deflector-Muffler			
			677	690661	Screw (Muffler Deflector)			
			684	690345	Screw (Breather Passage Cover)			

★ Included in Engine Gasket Set-Ref. No.358.

● Included in Carburetor Overhaul Kit-Ref. No. 121.

◆ Included in Carburetor Gasket Set-Ref. No. 977.

△ Included in Valve Gasket Set-Ref. No 1095.

**Illustrations cover a range of engines. Parts shown without corresponding text may not be used on your specific engine.**

6193-12

Assemblies include all parts shown in frames.

07/21/2008

REF. NO.	PART NO.	DESCRIPTION	REF. NO.	PART NO.	DESCRIPTION	REF. NO.	PART NO.	DESCRIPTION
851	493880S	Terminal-Spark Plug	930A	692675	Guard-Rewind	1005	691346	Fan-Flywheel
868	★Δ692044	Seal-Valve	943	692514	Seal-O Ring (Oil Pump Cover)	1019	695247	Kit-Label
883	★Δ691893	Gasket-Exhaust	946	396526	Stop-Rope	1022	★Δ691890	Gasket-Rocker Cover
886	696268	Gasket Kit-Cylinder Head/Plate	946A	691738	Stop-Rope	1023	499624	Cover-Rocker
914	691108	Screw (Rocker Cover)	957	692046	Cap-Fuel Tank (Plastic)	1024	692508	Pump-Oil
922A	692135	Spring-Brake	957B	699985	Cap-Fuel Tank (Plastic)	1026	692045	Rod-Push
922	691831	Spring-Brake	958	698183	Valve-Fuel Shut Off (Plastic)	1027	692513	Filter-Oil
923	691994	Brake	965	692507	Cover-Oil Pump	1028	692516	Adapter-Oil Filter
923A	695891	Brake ----- <b>Note</b> ----- 695891 Brake (Used Before Code Date 08050100). Used on Type No(s). 0118.	966	692673	Base-Air Cleaner Primer	1029	691230	Arm-Rocker
923B	796136	Brake (Used After Code Date 08043000). Used on Type No(s). 0118.	966A	693863	Base-Air Cleaner Primer (Choke System) Used on Type No(s). 0030, 0110.	1034	691343	Guide-Push Rod Label-Emissions (Available From A Briggs & Statton Authorized Dealer)
925	795403	Cover-Linkage (Used After Code Date 07072200). ----- <b>Note</b> ----- 690595 Cover- Linkage (Used Before Code Date 07072300).	967	493537S	Filter-Pre Cleaner	1036		
			968	692298	Cover-Air Cleaner	1055	692623	Tube-Oil Pump
			972	699374	Tank-Fuel (Plastic)	1058	277102	Operator's Manual
			975	493640	Bowl-Float	1059	692311	Kit-Screw/Washer
			976	694395	Primer-Carburetor	1095	792386	Gasket Set-Valve
			977	792385	Gasket Set-Carburetor	1210	498144	Pulley/Spring Assembly (Pulley)
			986	693514	Filter-Debris	1211	498144	Pulley/Spring Assembly (Spring)
			988	692515	Gasket-Oil Adapter	1319	794467	Label-Warning
			993	★Δ694088	Gasket-Cylinder Head Plate	1330	272147	Manual-Repair

★ Included in Engine Gasket Set-Ref. No.358.

● Included in Carburetor Overhaul Kit-Ref. No. 121.

◆ Included in Carburetor Gasket Set-Ref. No. 977.

Δ Included in Valve Gasket Set-Ref. No 1095.

**Illustrations cover a range of engines. Parts shown without corresponding text may not be used on your specific engine.**





